

specter

SPECTER SLIM MODULES
BREAK DOT

bold
lighting



BREAK DOT

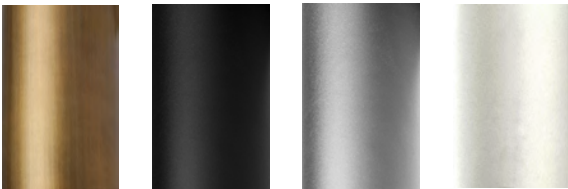
Our Magnetic track system, SPECTER, is a highly configurable, 2 circuits, 24VDC low voltage track system. Thanks to its magnet mounting technology, the modules are inter-changeable instantaneously. Our track is available in ceiling pendant, surface and recessed mounting for both ceiling and walls. SPECTER track is also available with an optional linear uplight feature. The BREAK module offers a wide range of optics along with a tilt up to 90° allowing the illumination of both horizontal or vertical planes.

- Up to 1703lm delivered output
- Available in 2 sizes, 4" and 8"
- Available in Low glare baffles
- Fixtures designed to mount in SPECTER track
- Available in 4 standard finishes: Black, white, silver and bronze

Notes: ¹ Available dimming 0-10V and DALI

Code example: **SPSM-B**04W-W-N827-2

STANDARD FINISHES



Z

B

S

W

DELIVERED LUMEN OUTPUT

Length	Watts	CRI +80				CRI +90			
		2700K	3000K	3500K	4000K	2700K	3000K	3500K	4000K
4"	8W	751lm	835lm	918lm	1010lm	606lm	673lm	740lm	814lm
8"	16W	1267lm	1407lm	1548lm	1703lm	1022lm	1135m	1249lm	1373lm

Series	Length		Body Finish		Baffle Finish		Beam Angle		CRI		Color Temp		Circuit	
SPSM-B	04	4"	W	White	W	White	N	12°	8	+80	27	2700K	1	1-Circuit
	08	8"	B	Black	B	Black	M	24°	9	+90	30	3000K	2	2-Circuit
			S	Silver	S	Silver	F	36°			35	3500K		
			Z	Bronze	Z	Bronze					40	4000K		
			X	Custom	X	Custom								

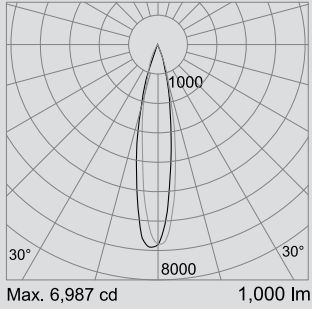


Bold Lighting
4710 Ecton Dr., Marietta, GA 30066, USA
info@boldlighting.us www.boldlighting.us
t: +1-678-903-4061

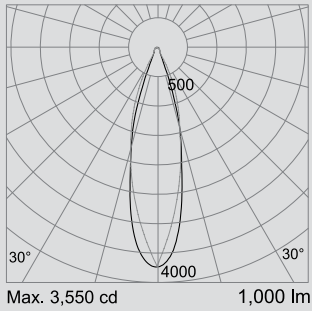
Photometric data:
Type C Polar Curves

BREAK DOT 4

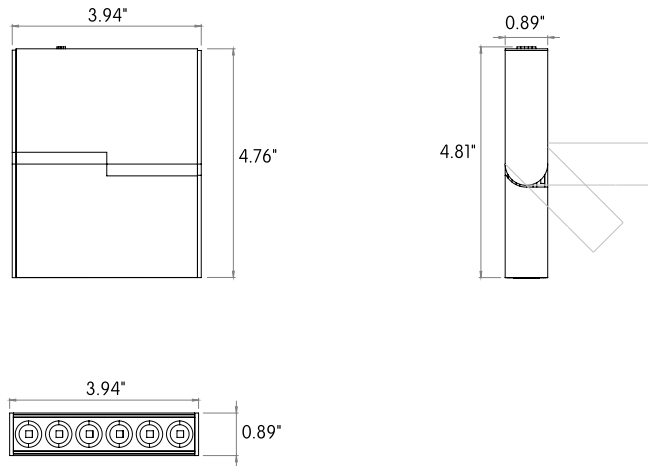
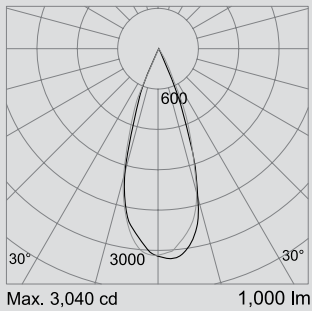
12° Beam Angle



24° Beam Angle



36° Beam Angle



BREAK DOT 8

